

Eicher Pro 8049

49 Ton GCW Tip Trailer (6x4)

TRUCKS AND BUSES



GO PRO

TECHNICAL SPECIFICATIONS

Eicher Pro 8049 Tip Trailer BS-IV (6x4)

Gross Combination Weight (with suitable 3-axle Trailer)	49000 Kg
Wheelbase	4085 mm

Engine

Inline 6-Cylinder Common Rail Direct Injection (CRDi) Diesel Engine with Four Valves Per Cylinder

Model	VEDX8 with SCR Technology
Bore x Stroke	110 x 135 mm
Displacement (litre)	7.7
Max. Power	280 HP @ 2200 rpm
Max. Torque	1050 Nm @ 1100-1800 rpm
Emissions	BS-IV with SCR technology

Clutch

Single plate, Pull type, Power Assisted

Plate diameter	430 mm
----------------	--------

Gearbox

Direct drive 9 speed gearbox

Input Torque	1190 Nm
Gear	Ratio
Crawler	12.11
1st	8.08
2nd	5.96
3rd	4.42
4th	3.36
5th	2.41
6th	1.77
7th	1.32
8th	1
Reverse	12.66

Axles

Front Axle	Forged I-beam reverse Elliot type
Rear Axle	Single Reduction (Standard) / Hub reduction (optional)
Rear Axle ratio	5.14 (Single reduction) / 6.37 (Hub reduction)

Chassis Frame

High strength rolled form wide and stable frame with rivetless top surface

Chassis Dimension (L x W x T)	300 x 90 x 7/8 mm with inner liner of 5 mm
-------------------------------	--

Suspension

Front Suspension	Parabolic multi leaf suspension
Rear Suspension	Multi leaf inverted Bogie Suspension

Brakes

Full Air brake system with ABS, 5-cam brakes with automatic adjustment, exhaust brake as auxiliary brake

Fuel Tank

Capacity	405 litre
----------	-----------

Adblue Tank

Capacity	33 litre
----------	----------

Electrical Systems

System voltage	24 V
Battery capacity	150 Ah

Cabin

2.5 m wide aerodynamic and tiltable cabin with standard Roof (Single Sleeper Bunk) and High Roof (Double Sleeper Bunk)

Air Conditioning	Cooling as Standard
Roof Hatch	Optional with Double Sleeper
Driver Seat	Mechanically Suspended / Air Suspended (optional)
Steering	Tilt and Telescopic Power Steering

Wheels and Tyres

Type	Cross-ply & Radial
Tyre size	11.0 x 20.0 - 16 PR
Rims	8.00 x 20

Fifth Wheel Coupling

Type	Pressed Fifth Wheel Coupling
Kingpin Dia.	2 inch

Performance

Max. speed	92.4 km / h (Single reduction) 74 km / h (Hub reduction)
Min. turning dia	14900 mm
Gradeability	22.2% (Single reduction) 28% (Hub reduction)

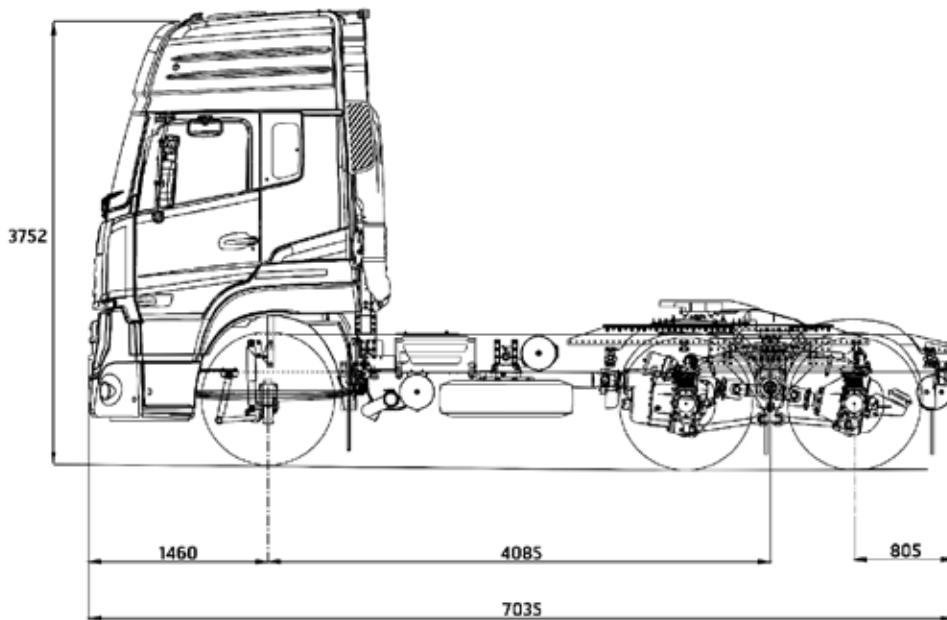
PTO

Gearbox PTO connection available

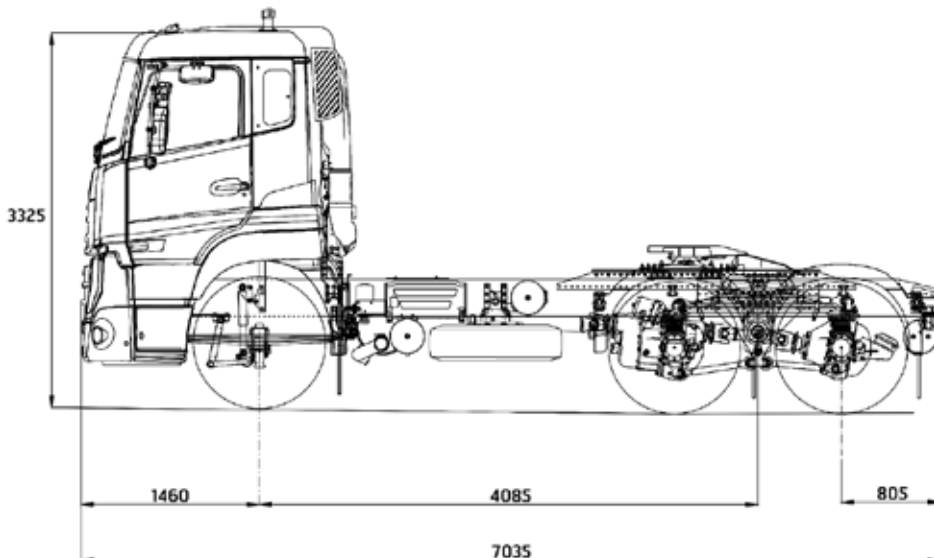
Features

Eicher Live Services (Advanced telematics)	Standard with Driver Authentication (subscription cost extra)
Fuel Coaching	Standard
Cruise Control	Standard
Audio System	Standard
Body struck volume	Upto 32 m ³

PRO 8049 (6X4) DOUBLE SLEEPER CABIN



PRO 8049 (6X4) SINGLE SLEEPER CABIN





 **VE COMMERCIAL VEHICLES** 
A VOLVO GROUP AND EICHER MOTORS JOINT VENTURE

To know more about the Eicher Mining Tippers, write to us at emt@eicher.in
VE Commercial Vehicles Ltd., #96, Institutional Area, Sector 32, Gurgaon-122001, Haryana, India. Ph: +91-124-4415600

Connect with us on:    /Eicher Trucks and Buses  @ETBIndia